

IP Camera

VIA-PTZ-4R25P-ITS



VIA-PTZ-4R25P-ITS is a professional 4 MP network PTZ camera designed for close-up views over expansive areas.

The device integrates a 1/2.8" Progressive Scan CMOS sensor with a 25× optical zoom lens.

The camera delivers excellent low-light performance via TrueView technology and features an expansive night view with an IR distance of up to 150 meters.

It also incorporates deep learning algorithms focusing on human and vehicle target classification, along with simultaneous face capture.

The metal housing is rated IP67 for robust weather protection and includes TVS 6000 V lightning, surge, and voltage transient protection, making it highly suitable for demanding outdoor operating conditions.

Key Capabilities

- ✓ 4 MP resolution (2560 × 1440)
- ✓ 25× optical zoom and 16× digital zoom
- ✓ 120 dB WDR
- ✓ H.265 / H.264 video compression
- ✓ Expansive night view with up to 150 m IR distance
- ✓ Human and vehicle target classification based on deep learning
- ✓ Face capture support
- ✓ IP67 weather protection and TVS 6000 V lightning protection
- ✓ Support for microSD up to 512 GB

VIA Security

 **UKRAINIAN
BRAND**

SPECIFICATION

CAMERA

Image Sensor

1/2.8" Progressive Scan CMOS

Max. Resolution

2560 × 1440

Min. Illumination

Color: 0.005 Lux @ (F1.6, AGC ON); B/W: 0.001 Lux @ (F1.6, AGC ON), 0 Lux with IR

Shutter Time

1 s to 1/30,000 s

Day & Night

IR cut filter

Zoom

25x optical, 16x digital

Slow Shutter

Yes

OPTICAL SYSTEM

Focal Length

4.8 mm to 120 mm

FOV

Horizontal field of view: 55° to 2.4° (wide-tele), Vertical field of view: 33° to 1.4° (wide-tele), Diagonal field of view: 61.5° to 2.8° (wide-tele)

Focus

Auto, semi-auto, manual

Aperture

Max. F1.6

Zoom Speed

Approx. 3.6 s

ILLUMINATION

Supplement Light Range

IR Distance: up to 150 m

Supplement Light Type

IR

PTZ

Movement Range (Pan)

360°

Movement Range (Tilt)

-15° to 90° (auto flip)

Pan Speed

Pan speed: configurable from 0.1° to 120°/s; preset speed: 120°/s

Tilt Speed

Tilt speed: configurable from 0.1° to 80°/s, preset speed 80°/s

Proportional Pan

Yes

Presets

300

Preset Freezing

Yes

Patrol Scan

8 patrols, up to 32 presets for each patrol

Pattern Scan

4 pattern scans

Park Action

Preset, pattern scan, patrol scan, auto scan, tilt scan, random scan, frame scan, panorama scan

3D Positioning

Yes

PTZ Status Display

Yes

Scheduled Task

Preset, pattern scan, patrol scan, auto scan, tilt scan, random scan, frame scan, panorama scan, dome reboot, dome adjust, aux output

Power-off Memory

Yes

VIDEO PROCESSING & ENCODING

Main Stream

50 Hz: 25 fps (2560 × 1440, 1920 × 1080, 1280 × 960, 1280 × 720); 60 Hz: 30 fps (2560 × 1440, 1920 × 1080, 1280 × 960, 1280 × 720)

Sub-Stream

50 Hz: 25 fps (704 × 576, 640 × 480, 352 × 288); 60 Hz: 30 fps (704 × 480, 640 × 480, 352 × 240)

Third Stream

50 Hz: 25 fps (1920 × 1080, 1280 × 960, 1280 × 720, 704 × 576, 640 × 480, 352 × 288); 60 Hz: 30 fps (1920 × 1080, 1280 × 960, 1280 × 720, 704 × 480, 640 × 480, 352 × 240)

Video Compression

Main stream: H.265/H.264, Sub-stream: H.265/H.264/MJPEG, Third stream: H.265/H.264/MJPEG

Video Bit Rate

32 Kbps to 16 Mbps

H.264 Type

Baseline profile/Main profile/High profile

H.265 Type

Main Profile

Scalable Video Coding (SVC)

H.264 and H.265 encoding

Region of Interest (ROI)

8 fixed regions for each stream

AUDIO CAPABILITIES

Audio Compression

G.722.1, G.711, G.726, MP2L2, PCM, MP3, AAC

Audio Bit Rate

64 Kbps (G.711), 16 Kbps (G.722.1), 16 Kbps (G.726), 32 to 192 Kbps (MP2L2), 16 to 64Kbps (AAC-LC), 8 to 320 Kbps (MP3)

Audio Sampling Rate

MP2L2: 16kHz, 32kHz, 48kHz; AAC-LC: 16kHz, 32kHz, 48kHz; PCM: 8kHz, 16kHz, 32kHz, 48kHz; MP3: 8kHz, 16kHz, 32kHz, 48kHz

Environment Noise Filtering

Yes

NETWORK & CYBERSECURITY

Protocols

IPv4/IPv6, HTTP, HTTPS, 802.1x, Qos, FTP, SMTP, UPnP, SNMP, DNS, DDNS, NTP, RTSP, RTP, TCP/IP, UDP, IGMP, ICMP, DHCP, PPPoE, Bonjour

Simultaneous Live View

Up to 20 channels

API

ONVIF (Profile S, Profile G, Profile T), SDK

Security

Password protection, complicated password, HTTPS encryption, 802.1X authentication (EAP-TLS, EAP-LEAP, EAP-MD5), watermark, IP address filter, basic and digest authentication for HTTP/HTTPS, control timeout settings, security audit log, TLS 1.2, host authentication (MAC address)

User/Host

Up to 32 users; 3 user levels: administrator, operator, and user

Network Storage

NAS (NFS, SMB/CIFS), auto network replenishment (ANR)

Web Browser

IE11, Chrome 80+, Firefox 80+, Safari 13+, Edge 89+

IMAGE

Image Parameters Switch

Yes

Image Settings

Saturation, brightness, contrast, sharpness, gain, and white balance adjustable by client software or web browser

Day/Night Switch

Day, Night, Auto, Schedule

Wide Dynamic Range (WDR)

120 dB

SNR

≥ 52 dB

Defog

Digital Defog

Image Stabilization

EIS

Image Enhancement

BLC, HLC, 3D DNR

Privacy Mask

24 programmable polygon privacy masks, mask color or mosaic configurable

Regional Focus

Yes

Regional Exposure

Yes

VR View

360° Real Scene Stitched Panoramic Image

INTERFACE

Ethernet Interface

1 RJ45 10M/100M self-adaptive Ethernet port

On-Board Storage

Built-in memory card slot, support microSD/microSDHC/microSDXC card, up to 512 GB

Audio

1 input (line in), two-core terminal block; 1 output (line out), two-core terminal block

Alarm

2 inputs, 1 output

Reset Key

Yes

EVENT

Basic Event

Motion detection, video tampering alarm, exception, alarm input and output

Smart Event

Line crossing detection, intrusion detection, region entrance detection, region exiting detection, unattended baggage detection, object removal detection, audio exception detection

Linkage

Upload to FTP/NAS/memory card, notify surveillance center, send email, trigger alarm output, trigger recording, and PTZ actions (such as preset, patrol scan, pattern scan)

DEEP LEARNING FUNCTION

Face Capture

Detects up to 5 faces simultaneously. Supports detecting, capturing, grading, selecting of face in motion, and output the best face picture of the face

GENERAL

Power

36 VDC ± 25%, max. 24 W, PoE (802.3at)

Material

Metal

Dimension

Ø 210 mm × 344.7 mm (Ø 8.27" × 13.57")

Weight

Approx. 3.0 kg (6.61 lb.)

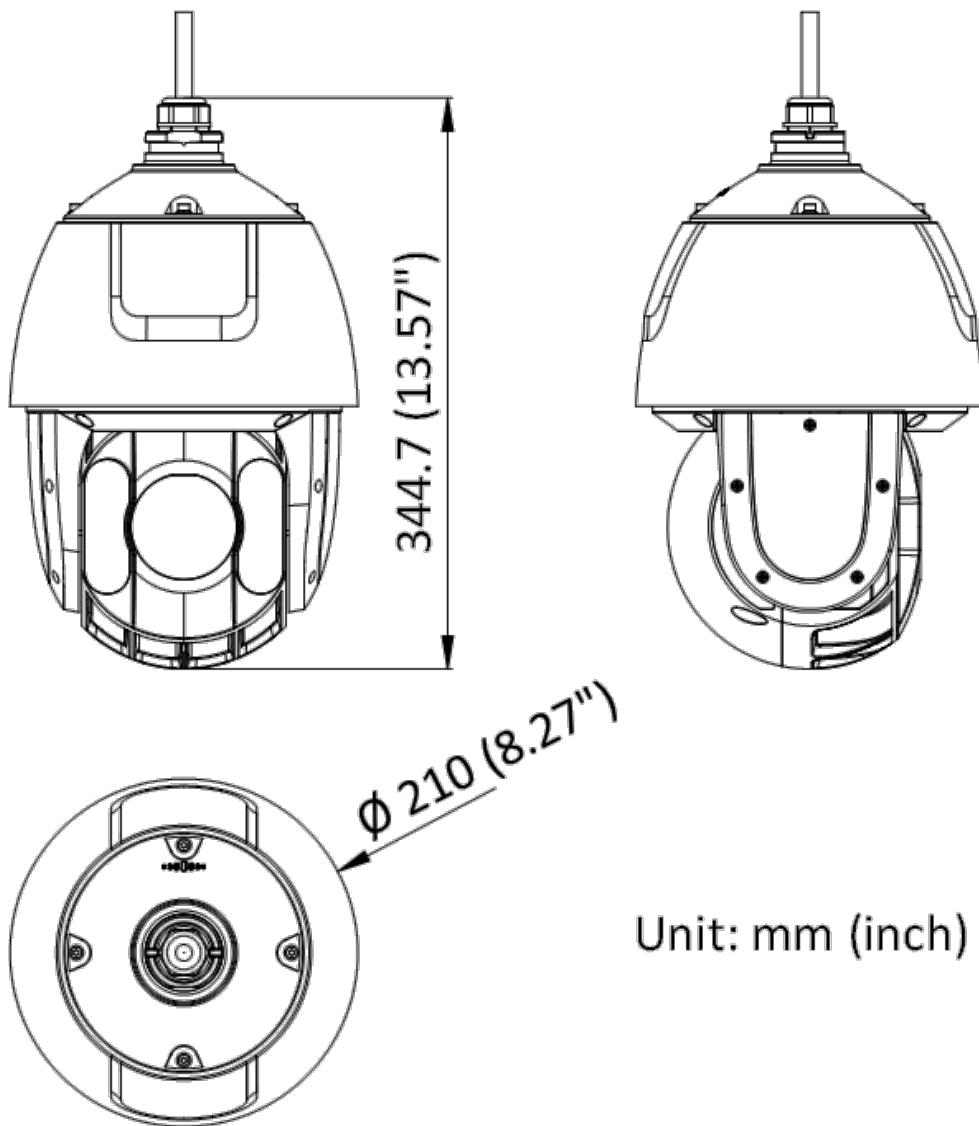
Operating Condition

-30 °C to 65 °C (-22 °F to 149 °F). Humidity 90% or less (non-condensing)

Protection

IP67, TVS 6000 V lightning protection, surge protection and voltage transient protection

DIMENSIONS



*Product in box may vary in appearance and specifications.



Limited liability company «VIATEK»

Email: info@viasecurity.ua
For more detailed information: viasecurity.ua

**UKRAINIAN
BRAND**